

RADIAL FANS



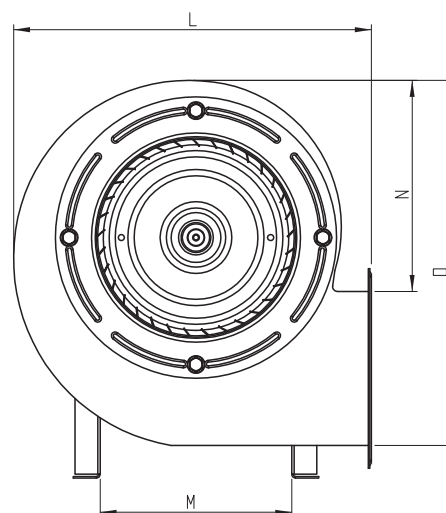
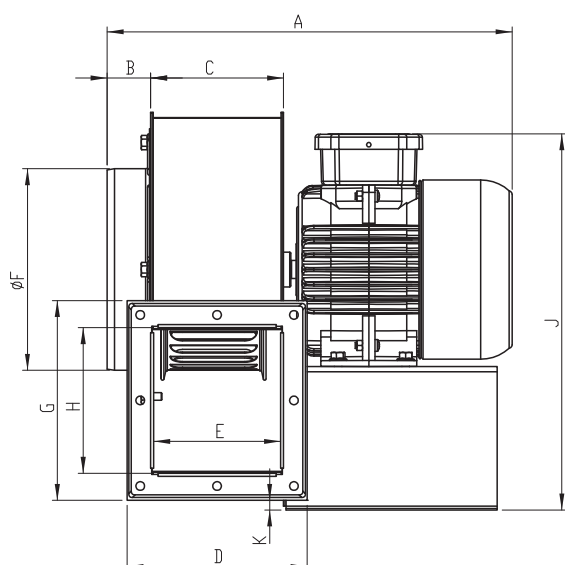
OBR 200

AC CENTRIFUGAL FANS
Single Inlet

OBR 200 works at higher temperatures due to out of airflow motor location. Forward curved impellers suit higher pressure points.

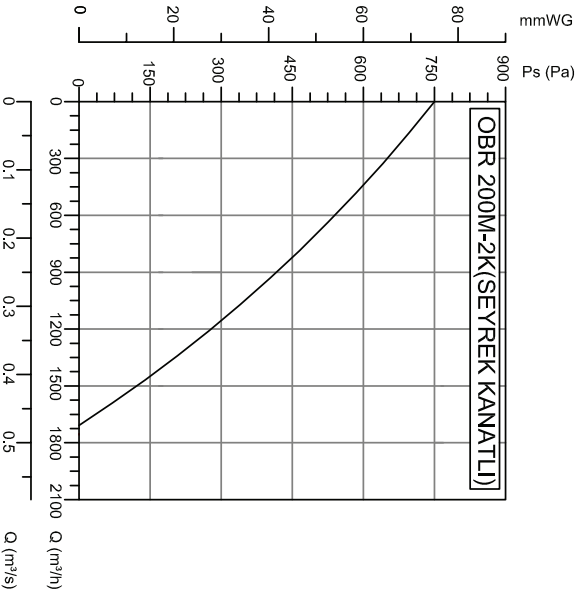
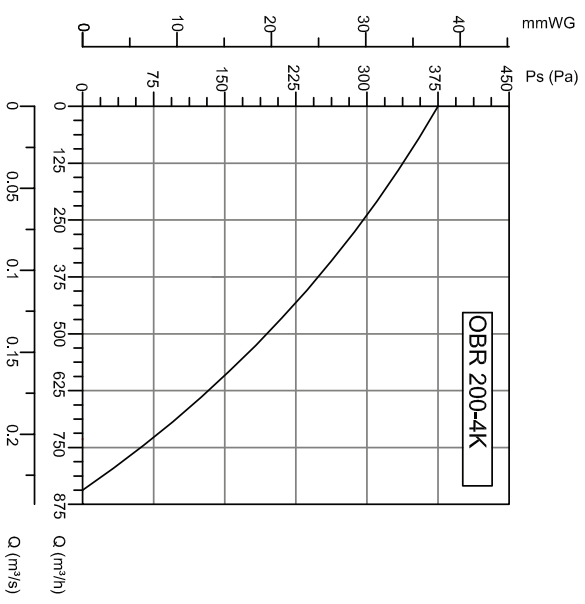
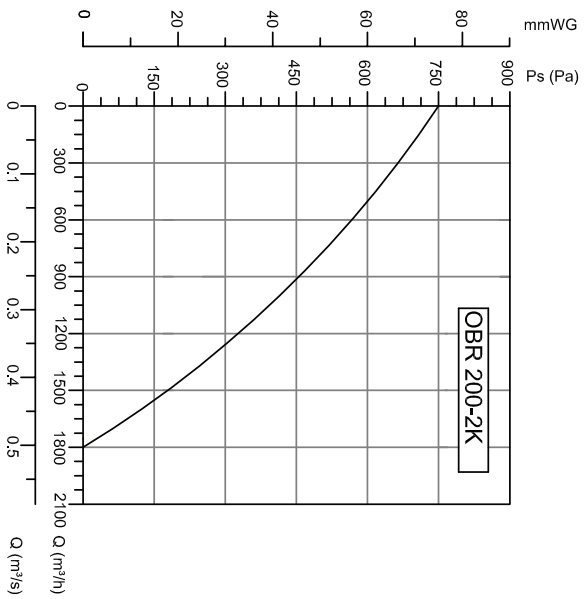
- MATERIAL** : Housing is made of electrostatic powder coated sheet steel. Forward curved impeller is made of galvanized steel.
- INSULATION CLASS** : Class B
- DIRECTIVE** : EN 60335-1, EN 60335-2-80
- SPEED CONTROL** : Speed can be adjusted using an optional controller.
- APPLICATION AREAS** : Factories, depots, dyehouses, industrial iron machines, plastic and packing machines etc. likely dusty places where dust and heat must be circulated, and cooling systems.

Technical Drawings



TYPE	A	B	C	D	E	F	G	H	J	K	L	M	N	O
OBR 200	322	34	109	146	102	163	161	115	310	17	288	150	170	295

Dimensions are in (mm)



Accessories



BSC

BYH

TYPE	VOLTAGE		FREQUENCY	POWER	CURRENT	CAPACITOR	SPEED	AIR FLOW	SOUND PRESSURE LEVEL	WEIGHT
	V	Hz								
OBR 200M-2K	230	50	580	2,6	8	2770	1800	65	9	
OBR 200M-4K	230	50	190	1,1	8	1450	850	60	8,4	
OBR 200M-2K (Seyrek Kanatlı)	230	50	260	1,5	8	2900	1700	65	9,3	
OBR 200T-2K	380	50	140	0,7	-	2960	1800	70	8,3	
OBR 200T-4K	380	50	190	0,9	-	1465	850	65	8,4	